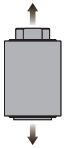


Column Type



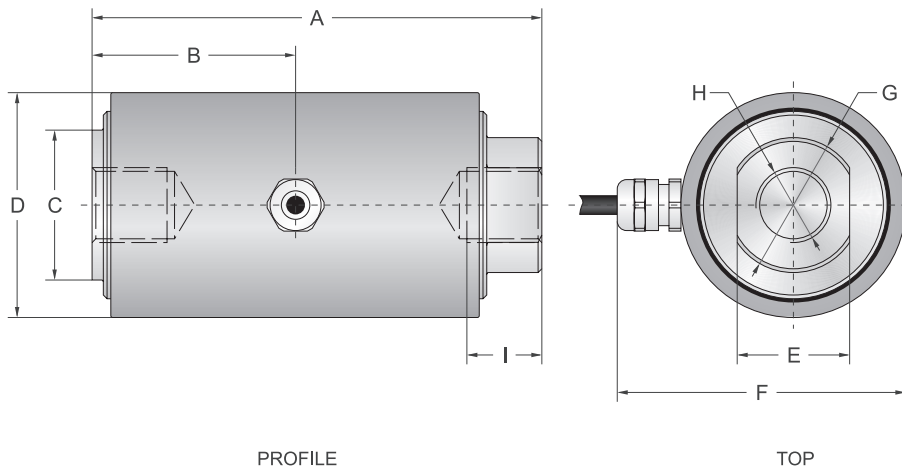
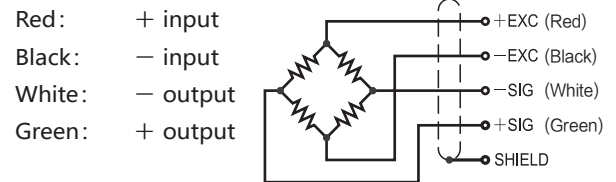
Capacities

5kg, 10kg, 20kg, 30kg, 50kg, 100kg, 200kg, 250kg, 500kg, 1t, 2t, 3t, 5t

Features

- Multi-column load cell
- Aluminum construction ($\leq 500\text{kg}$)
- Alloy steel construction (1t~5t)
- High accuracy
- High stability
- Easy to install
- Suitable for testing machine, etc.

Schematic



PROFILE

TOP

Capacities		A	B	C	D	E	F	G	H	I
5kg~500kg	mm	80	39	Ø40	Ø60	17	77	Ø20	2×M10×1.5	12
1t~5t	mm	120	54	Ø40	Ø60	30	77	Ø36	2×M20×1.5	20

Specifications

Rated Output	2.0mV/V $\pm 2.5\%$ (<5t)/3.0mV/V $\pm 2.5\%$ ($\geq 5t$)	Safe Temp. Range	-10°C to + 70°C
Zero Balance	$\pm 0.3\%$ ($\leq 100\text{kg}$)/1% (200kg~5t) of rated output	Temp. Compensated	-10°C to + 40°C
Creep after 30 minutes	$\pm 0.03\%$ of rated output	Safe Overload	150%
Nonlinearity	$\pm 0.03\%$ of rated output	Input Impedance	387 ohm ± 20 ohm
Hysteresis	$\pm 0.03\%$ of rated output	Output Impedance	350 ohm ± 5 ohm
Repeatability	$\pm 0.03\%$ of rated output	Insulation Resistance	≥ 5000 M ohm (50V DC)
Temp. effect on output	$\leq 0.002\%$ of applied output/°C	Rated Excitation	10V DC/AC
Temp. effect on zero	$\leq 0.002\%$ of rated output/°C	Maximum Excitation	15V DC/AC
Wire Length	2.75m	Wire Material	Red(+E) Black(-E) White(-S) Green(+S)